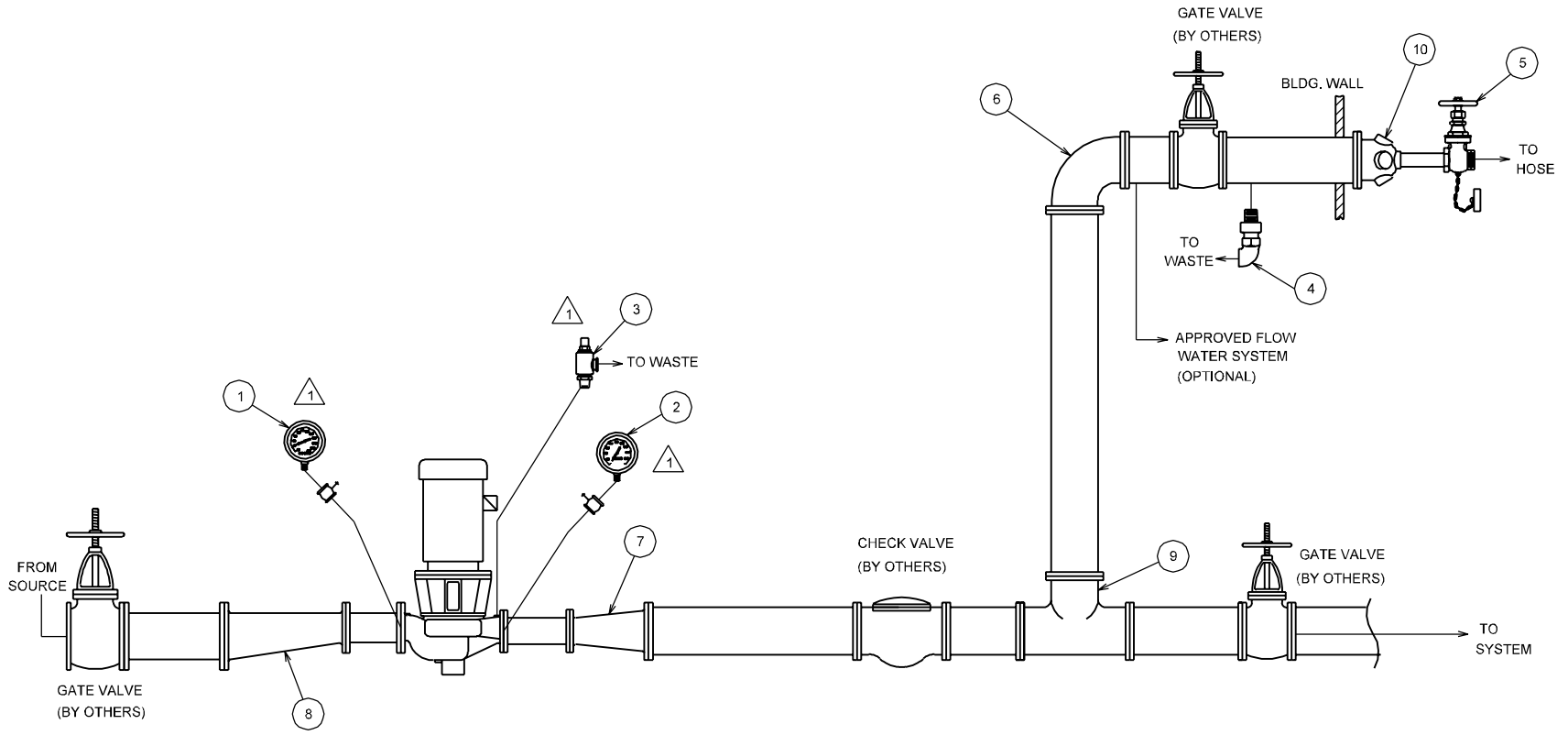


FOR DETAIL DRAWING OF NUMBERED PIECES
SEE CORRESPONDING NUMBER ON DRAWINGS



1) SUCTION GAUGE	6) 90° ELBOW
2) DISCHARGE GAUGE	7) CONCENTRIC DISCHARGE INCREASER
3) CASING RELIEF VALVE	8) ECCENTRIC SUCTION REDUCER
4) BALL DRIP VALVE	9) STRAIGHT TEE
5) HOSE VALVE	10) OUTSIDE HOSE VALVE HEADER

PATTERSON PUMP COMPANY
A SUBSIDIARY OF THE GORMAN-RUPP COMPANY
TOCCOA, GEORGIA

**VERTICAL INLINE FIRE PUMP
OPERATING LAYOUT**

REVISIONS				DRAWN	DATE	DRAWING NO.
NO.	ECR	DATE	BY			
1		10/20/08	JTT/1103	HOWARD	5-20-07	
				SCALE	NONE	APPROVED
						A.P.

L9-1