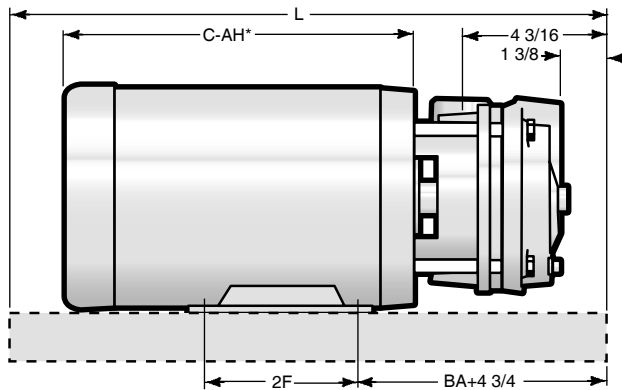
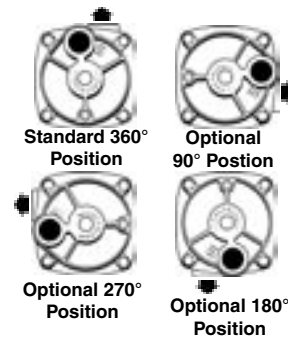
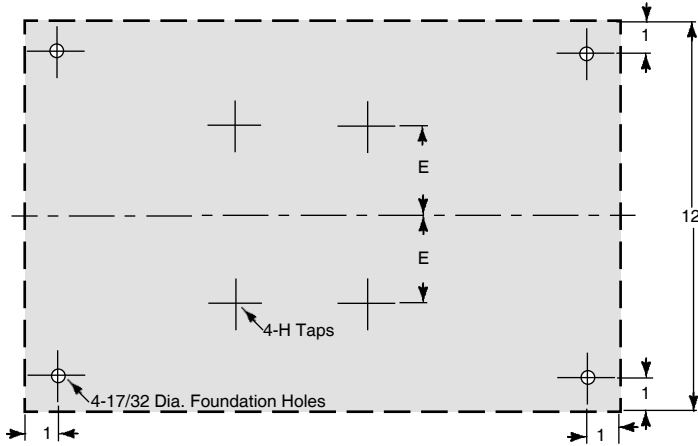
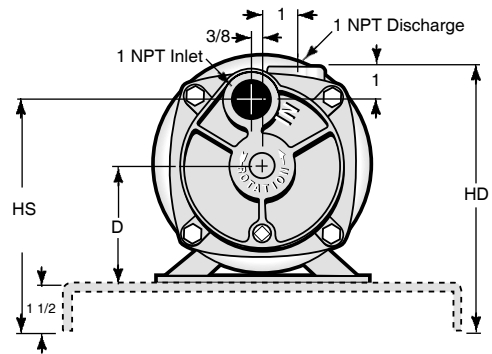


Dimensions



**BASE OPTIONAL; NOT INCLUDED



T41 SERIES · HORIZONTAL CLOSE COUPLED - 56C THRU 215 TC MOTOR FRAME

FRAME	D	BA+4 3/4	2F	E	H	HS	HD	L
56 C	3 1/2	7 3/8	3	2 7/16	5/16 - 18	7	8	18
143 TC	3 1/2	7 5/8	4	2 3/4	5/16 - 18	7	8	18
145 TC	3 1/2	7 5/8	5	2 3/4	5/16 - 18	7	8	18
182 TC	4 1/2	8 3/8	4 1/2	3 3/4	3/8 - 16	8	9	20
184 TC	4 1/2	8 3/8	5 1/2	3 3/4	3/8 - 16	8	9	20
213 TC	5 1/4	9 1/8	5 1/2	4 1/4	3/8 - 16	8 3/4	9 3/4	22
215 TC	5 1/4	9 1/8	7	4 1/4	3/8 - 16	8 3/4	9 3/4	22

*See motor price sheet for C-AH dimension (varies depending on motor enclosure).

NOTES

All dimensions in inches. May vary ± 1/4 inches.

Not for construction purposes unless certified.

Dimensions Certified For:

MTH MODEL T41L 1.5 HP 208/3/60

By _____

Dated _____



MTH PUMPS

401 West Main Street • Plano, IL 60545-1436
Phone: 630-552-4115 • Fax: 630-552-3688
Email: SALES@MTHPUMPS.COM
http://WWW.MTHPUMPS.COM