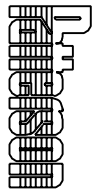


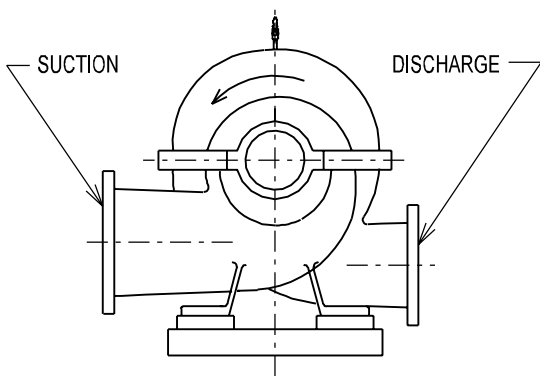
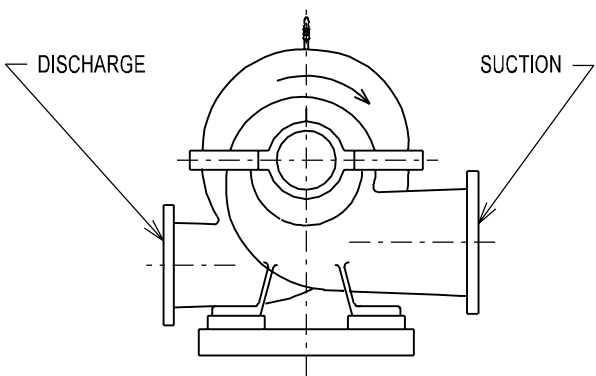
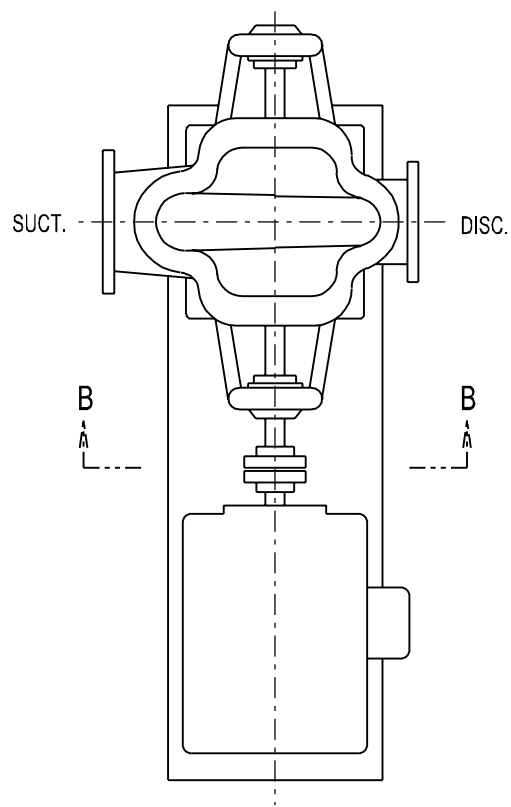
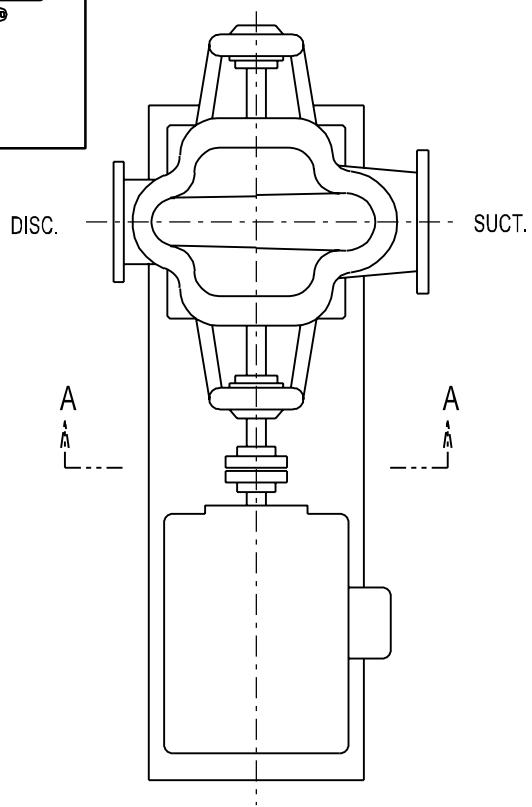
ROTATIONAL VIEWS

PATTERSON PUMP COMPANY
A SUBSIDIARY OF THE GORMAN-RUPP COMPANY



CLOCKWISE ROTATION

COUNTERCLOCKWISE ROTATION



VIEW A-A

VIEW B-B