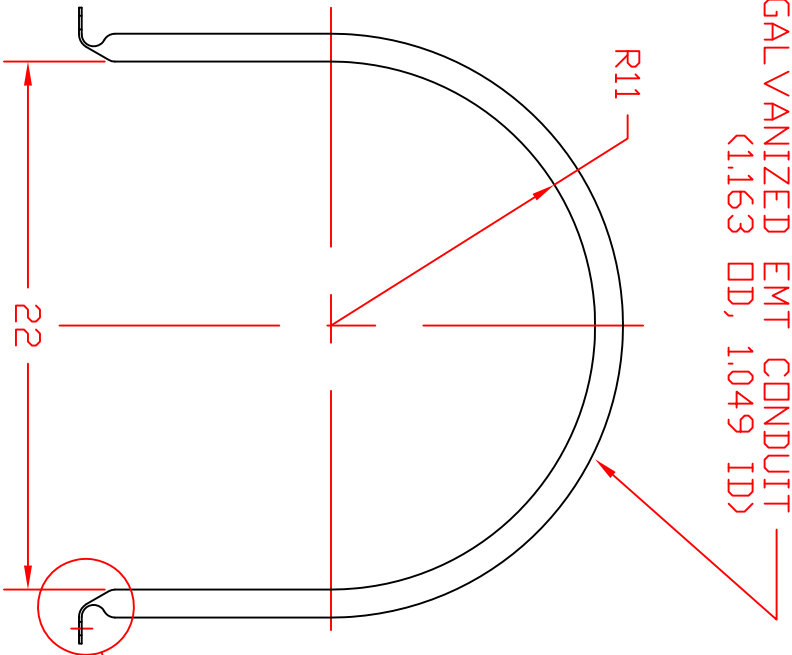


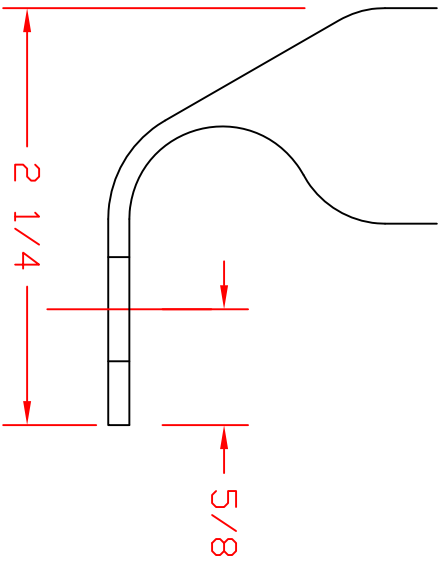
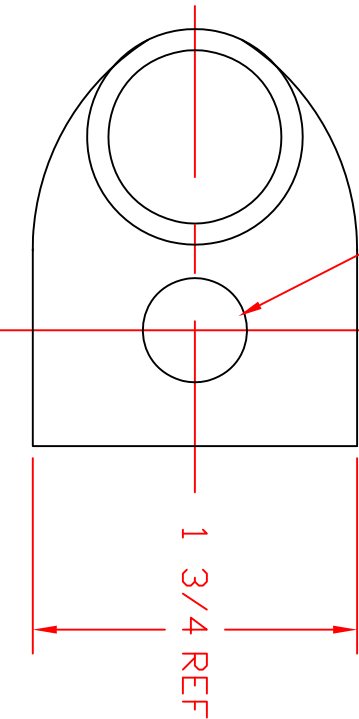
REVISIONS

ZONE	REV	DESCRIPTION	DATE	APPROVED
	B	REVISED & REDRAWN	15MAR99	
	C	55 GALLON ADDED	21OCT03	

1" GALVANIZED EMT CONDUIT
(1.163 OD, 1.049 ID)



9/16 DIA
TWO PLACES



NORWESCO
ST. BONIFACIUS, MN

BAND, 55 & 65 GALLON
HORIZONTAL TANKS

JTP	15MAR99	SIZE	FSCM NO.	DWG NO.	REV
		A		61745	C
SCALE 1/8		SHEET			