



— MODEL — **55L-60**

## Pressure Relief Valve/ Pump Casing Relief Valve



- **UL Listed**
- **Factory Mutual Approved**
- **UL Listed/FM Approved for use as a fire pump casing relief valve**
- **Direct Acting - Precise Pressure Control**
- **Positive Dependable Opening**
- **Drip Tight Closure**
- **No Packing Glands or Stuffing Boxes**
- **Sensitive to Small Pressure Variations**

The Cla-Val Model 55L-60 (**UL Listed, FM approved**) Pressure Relief Valve is a direct-acting, spring loaded, diaphragm type relief valve. The valve may be installed in any position and will open and close within very close pressure limits. The bottom plug may be removed and installed in the inlet to convert it to an angle pattern flow path.

The Model 55L-60 is normally held closed by the force of the compression spring above the diaphragm. When the controlling pressure applied under the diaphragm exceeds the spring setting, the disc is lifted off its seat, permitting flow through the control. When control pressure drops below the spring setting, the spring forces the control back to its normally closed position. The controlling pressure is applied to the chamber beneath the diaphragm through an internal passage. A gauge port is provided for accurate pressure setting.

Available in a wide range of materials including nickel aluminum bronze and stainless steel.  
Certified to meet low lead requirements

Pressure adjustment is done by turning the adjusting screw to vary the spring load on the diaphragm. The 55L-60 is available in pressure ranges suited to agency approval tests. To prevent tampering, the adjustment cap can be wire sealed by using the lock wire holes provided in the cap and cover.



### Typical Application for Fresh Water or Seawater Service

#### Fire Protection System Service

The **Model 55L-60** is typically used in a fire protection system to trim water pressure, thus preventing pressure build-up whenever line pressure exceeds the setting of the spring.

The 55L-60 will relieve excess pressure to atmosphere to prevent damage to the distribution network.

NOTE: Model 55L-60 is not suitable for discharging the full-rated pump capacity of a fire pump. See Model 50B-4KG1 Fire Pump Relief Valve for such applications.



### Fire Pump Casing Relief Valve

## Specifications

**Size** 1/2" & 3/4" Threaded NPT  
**Temperature Range** Water, Air: to 180°F Max.  
**Materials**  
 Body & Cover: Cast Bronze UNS C87850  
 Stainless Steel ASTM A743-CF-16Fa  
 Trim: 303 Stainless Steel  
 Rubber: Buna-N® Synthetic Rubber

**Pressure Ratings** Cast Bronze 400 psi Max.  
 Stainless Steel 400 psi Max.

**Other Materials** Available on special order

### Adjustment Ranges

**UL Listed & FM Approved**  
 0 to 75 psi  
 20 to 200 psi  
 100 to 300 psi

UL Listed/FM Approved 55L-60 Range psi	Approximate Increase for Each Clockwise Turn of Adjusting Screw
0 to 75	8.5 psi
20 to 200	28.0 psi
100 to 300	18.0 psi

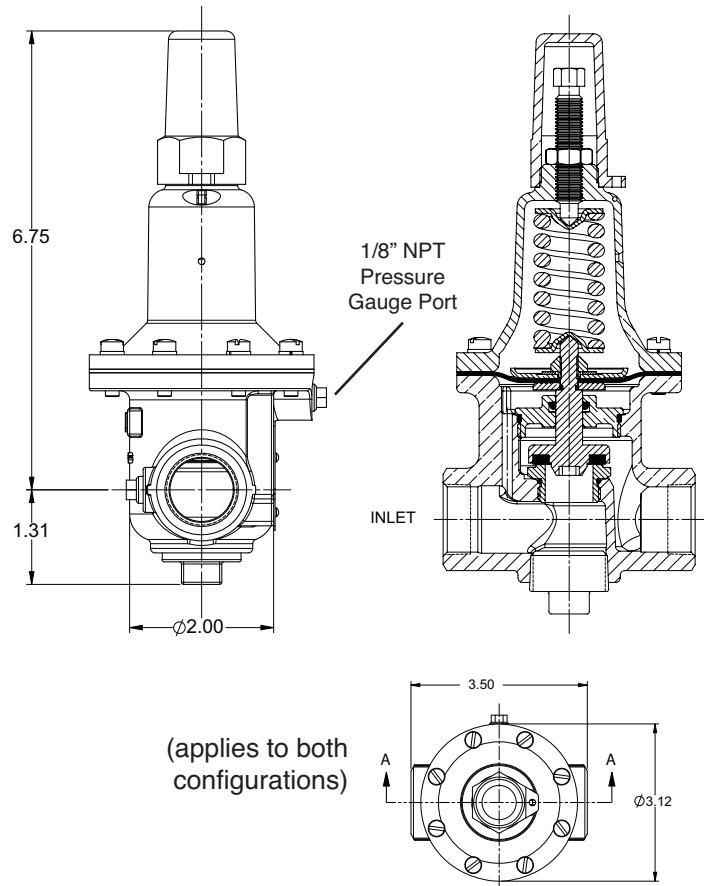
### Pressure Drop Chart (Full Open Valve)

Valve Size	C <sub>v</sub> Factor	Flow of Water - Gallons Per Minute				
		5	10	16	20	30
1/2"	6	0.7	2.7	6	11	--
3/4"	8.5	0.3	1.4	3.1	5.5	12.2

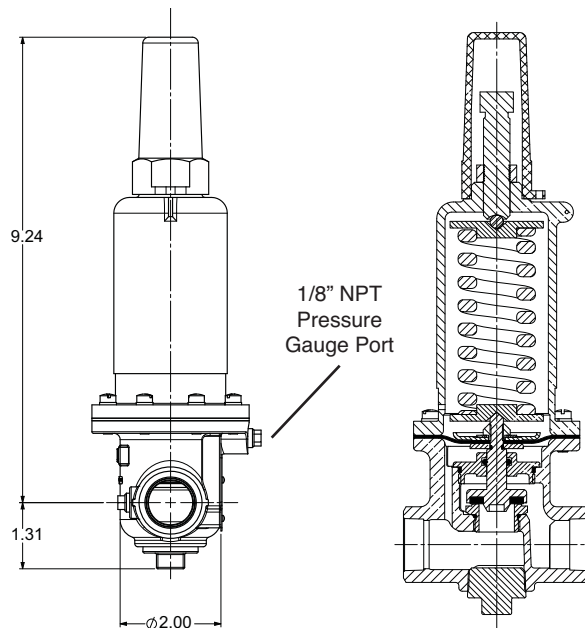
### When Ordering, Please Specify

1. Catalog No. 55L-60
2. Valve Size
3. Adjustment Range Desired
4. Optional Materials

## Dimensions: 0 to 75 and 20 to 200 psi design



## Dimensions: 100 to 300 psi design



E-55L-60 (R-05/2014)

## CLA-VAL

PO Box 1325 Newport Beach CA 92659-0325

800-942-6326 • Fax: 949-548-5441 • Web Site: [cla-val.com](http://cla-val.com) • E-mail: [claval@cla-val.com](mailto:claval@cla-val.com)

**CLA-VAL CANADA**  
 4687 Christie Drive  
 Beamsville, Ontario  
 Canada L0R 1B4  
 Phone: 905-563-4963  
 Fax: 905-563-4040  
 E-mail: [sales@cla-val.ca](mailto:sales@cla-val.ca)

**CLA-VAL EUROPE**  
 Chemin des Mésanges 1  
 CH-1032 Romanel/  
 Lausanne, Switzerland  
 Phone: 41-21-643-15-55  
 Fax: 41-21-643-15-50  
 E-mail: [cla-val@cla-val.ch](mailto:cla-val@cla-val.ch)

**CLA-VAL UK**  
 Dainton House, Goods Station Road  
 Tunbridge Wells  
 Kent TN11 2 DH England  
 Phone: 44-1892-514-400  
 Fax: 44-1892-543-423  
 E-mail: [info@cla-val.co.uk](mailto:info@cla-val.co.uk)

**CLA-VAL FRANCE**  
 Porte du Grand Lyon 1  
 ZAC du Champ du Périer  
 France - 01700 Neyron  
 Phone: 33-4-72-25-92-93  
 Fax: 33-4-72-25-04-17  
 E-mail: [cla-val@cla-val.fr](mailto:cla-val@cla-val.fr)

**CLA-VAL PACIFIC**  
 45 Kennaway Road  
 Woolston, Christchurch, 8023  
 New Zealand  
 Phone: 64-39644860  
 Fax: 64-39644786  
 E-mail: [gnuthall@cla-val.com](mailto:gnuthall@cla-val.com)